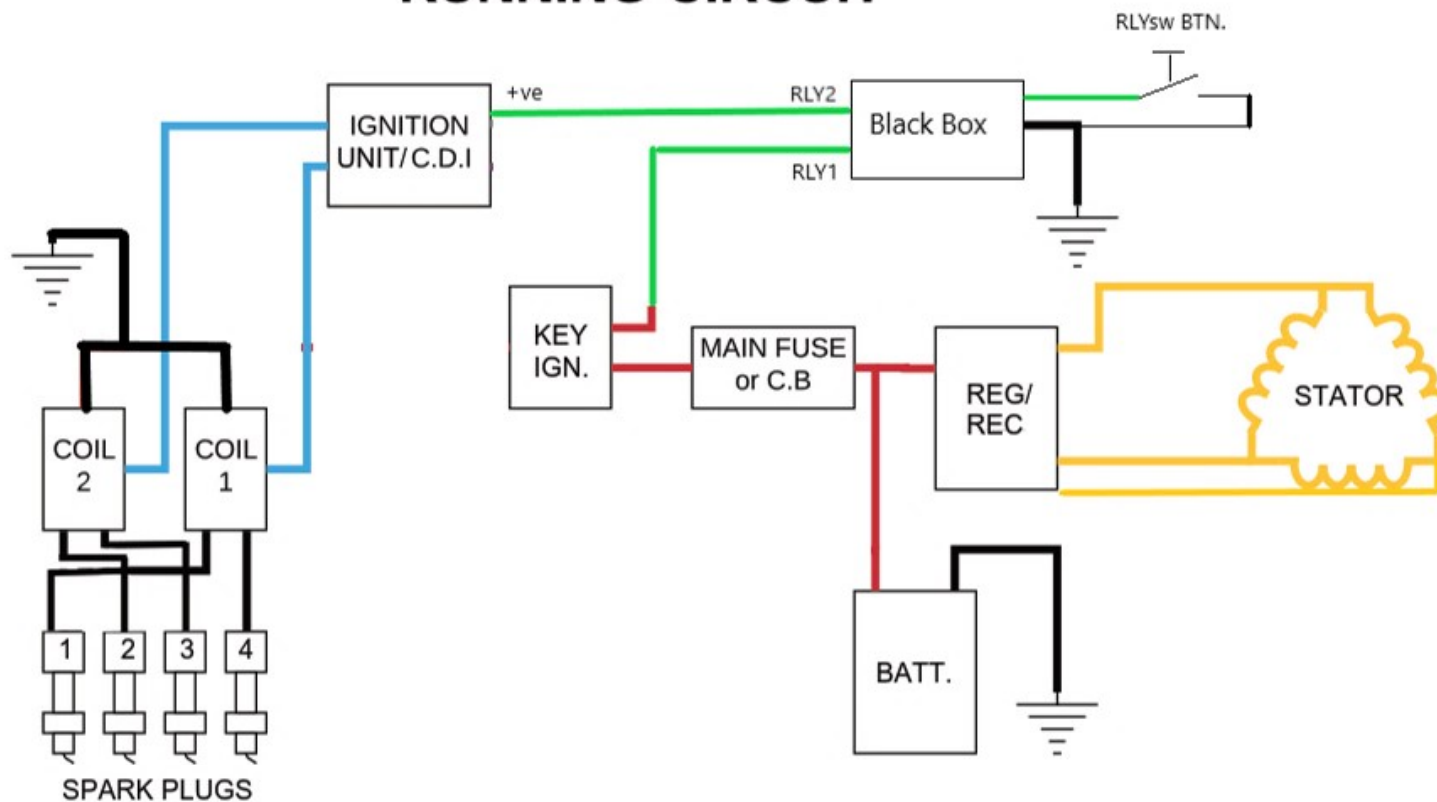


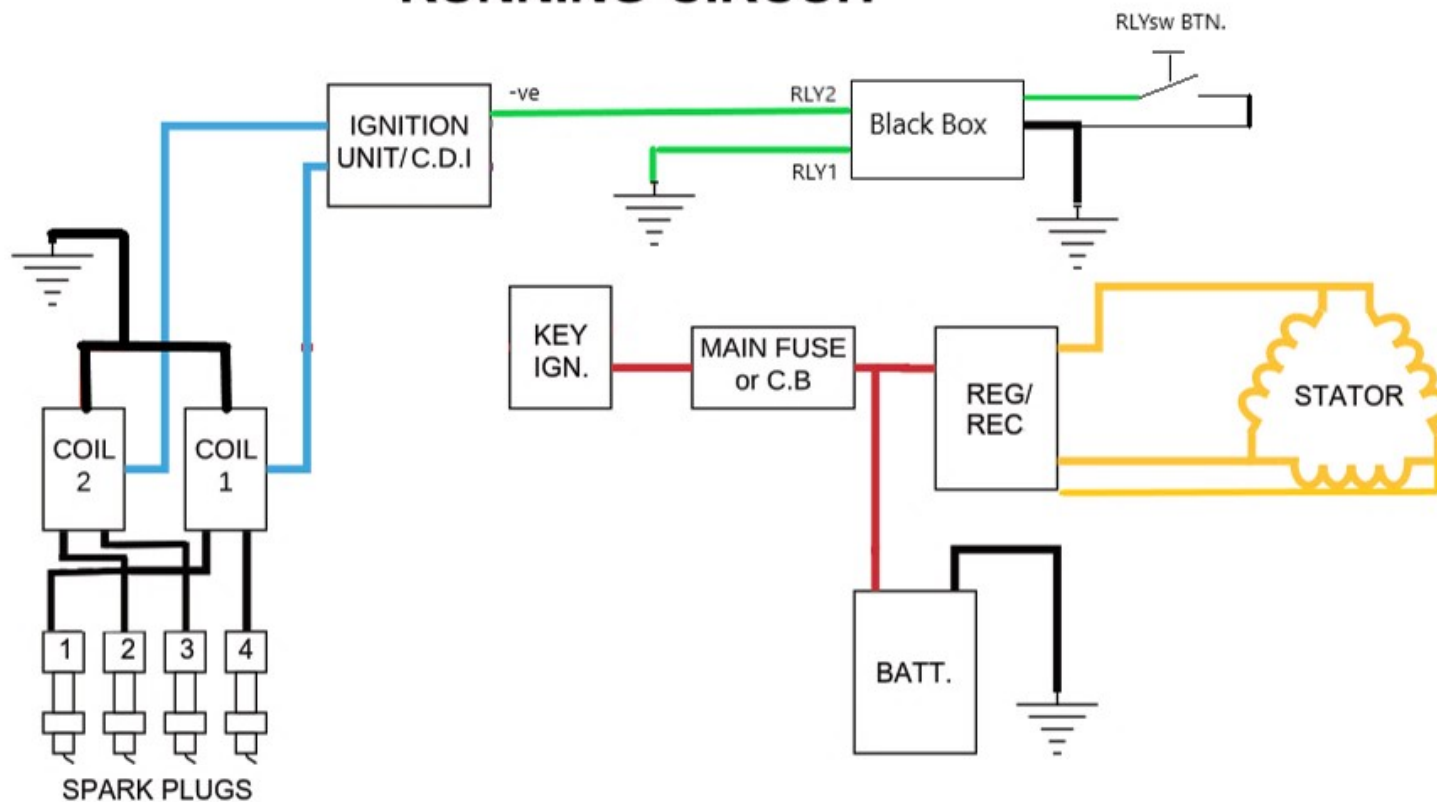
RUNNING CIRCUIT



Notes:

- RLY 1 is fed from the main +ve , RLY 2 is for the +ve on the ignition circuit or CDI. when you push the button it will cut the power and kill the motor.
- Depending on your bike model, the Signal generator/C.D.I circuit may differ. Some models with Digital Ignition will not have a CDI unit. Other models will run points direct to the Coils. consult your workshop manual.
- Frame Grounding=

RUNNING CIRCUIT



Notes:

- RLY1 can be connected to the bike frame or ground, RLY2 can be connected to the Ignition or CDI ground. when the RLYsw btn is pushed, it will break the ground circuit and kill the motor.
- Depending on your bike model, the Signal generator/C.D.I circuit may differ. Some models with Digital Ignition will not have a CDI unit. Other models will run points direct to the Coils. consult your workshop manual.
- Frame Grounding= 