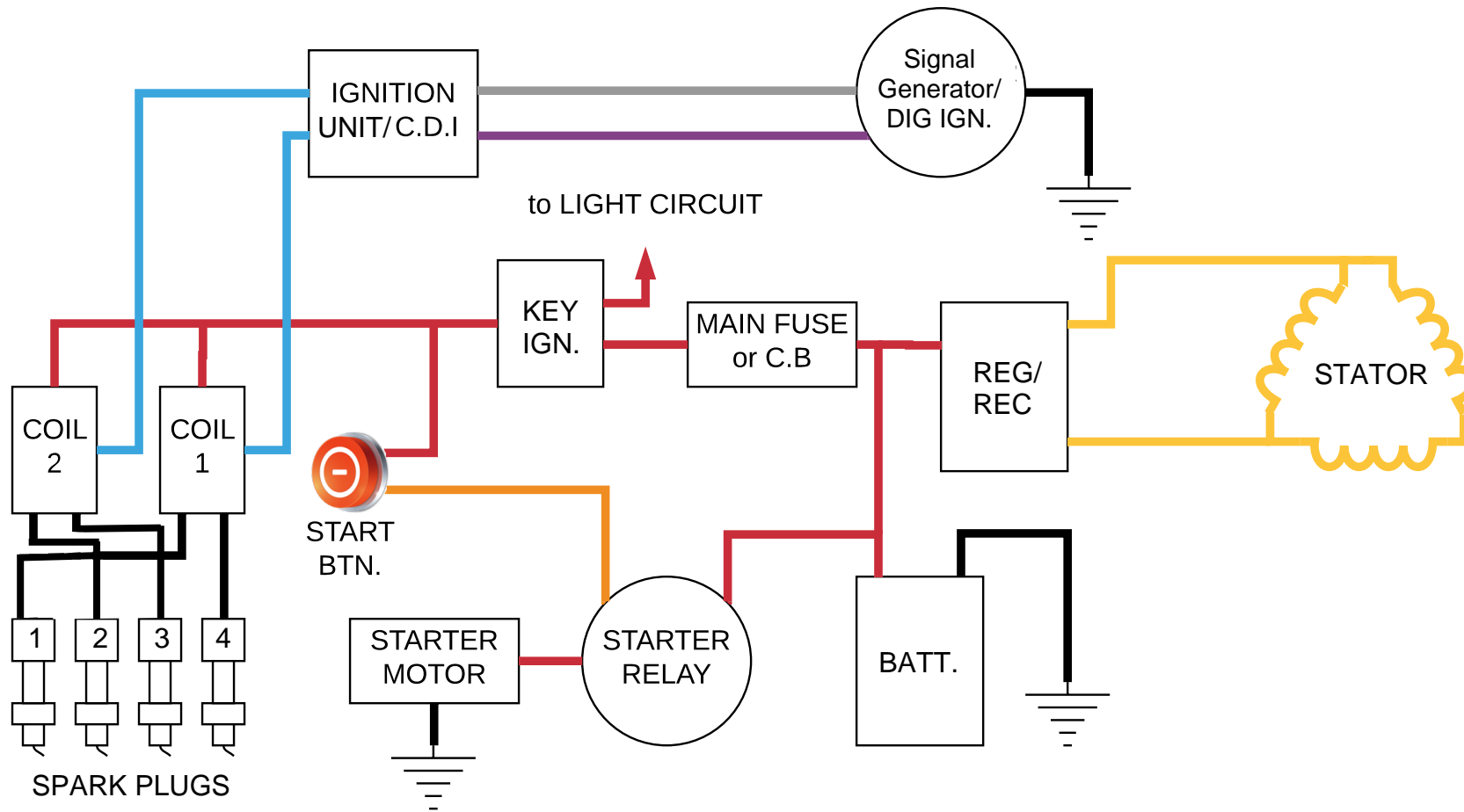


# RUNNING CIRCUIT



## Notes:

- Depending on your bike model, the Signal generator/C.D.I circuit may differ. Some models with Digital Ignition will not have a CDI unit. Other models will run points direct to the Coils. consult your workshop manual.
- Frame Grounding=